



27C512 512K (64K x 8) CHMOS EPROM

- Software Carrier Capability
- 120 ns Access Time
- Two-Line Control
- Intelligent Identifier™ Mode
 - Automated Programming Operations
- CMOS and TTL Compatible
- Low Power
 - 30 mA Max. Active
 - 100 μ A Max. Standby
- Fast Programming
 - Quick-Pulse Programming™ Algorithm
 - Programming Time as Fast as 8 Seconds

The Intel 27C512 is a 5V-only, 524, 288-bit Erasable Programmable Read Only Memory (EPROM), organized as 65,536 words of 8 bits. Individual bytes are accessed in 120 ns. This ensures compatibility with high-performance microprocessors, such as the Intel 12 MHz iAPX 286, allowing full speed operation without the addition of performance-degrading WAIT states. The 27C512 is also directly compatible with Intel's 80C51 family of microcontrollers.

The 27C512 enables implementation of new, advanced systems with firmware intensive architectures. The combination of the 27C512's high-density, cost-effective EPROM storage, and new advanced microprocessors having megabyte addressing capability provides designers with opportunities to engineer user-friendly, high-reliability, high-performance systems.

The 27C512's large storage capability of 64 K-bytes enables it to function as a high-density software carrier. Entire operating systems, diagnostics, high-level language programs and specialized application software can reside in a 27C512 directly on a system's memory bus. This permits immediate microprocessor access and execution of software and eliminates the need for time-consuming disk accesses and downloads.

Intel's Quick-Pulse Programming™ algorithm enables the 27C512 to be programmed as fast as eight seconds (plus programmer overhead). Programming equipment which takes advantage of the intelligent Identifier™ will electronically identify the EPROM and automatically program it using a superior programming method.

Two-line control and JEDEC-approved, 28-pin packaging are standard features of the 27C512. This assures easy microprocessor interfacing and minimum design efforts when upgrading, adding, or choosing between nonvolatile memory alternatives.

CHMOS is a patented process of Intel Corporation.

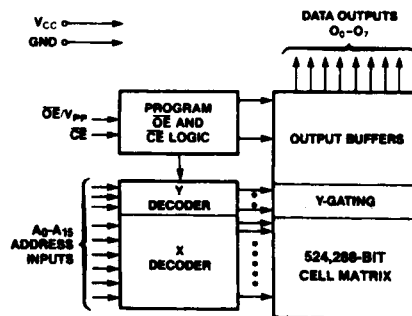


Figure 1. Block Diagram

290228-1

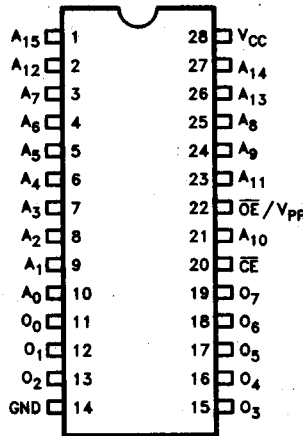
5

Pin Names

A ₀ -A ₁₅	ADDRESSES
\overline{CE}	CHIP ENABLE
\overline{OE}/V_{PP}	OUTPUT ENABLE/ V_{PP}
PGM	PROGRAM
O ₀ -O ₇	OUTPUTS
NC	NO CONNECT

27256 27C256	27C128 27128A	2764A 27C64	2732A	2716
V _{PP}	V _{PP}	V _{PP}		
A ₁₂	A ₁₂	A ₁₂		
A ₇	A ₇	A ₇	A ₇	A ₇
A ₆	A ₆	A ₆	A ₆	A ₆
A ₅	A ₅	A ₅	A ₅	A ₅
A ₄	A ₄	A ₄	A ₄	A ₄
A ₃	A ₃	A ₃	A ₃	A ₃
A ₂	A ₂	A ₂	A ₂	A ₂
A ₁	A ₁	A ₁	A ₁	A ₁
A ₀	A ₀	A ₀	A ₀	A ₀
O ₀	O ₀	O ₀	O ₀	O ₀
O ₁	O ₁	O ₁	O ₁	O ₁
O ₂	O ₂	O ₂	O ₂	O ₂
GND	GND	GND	GND	GND

27C512



2716	2732A	2764A 27C64	27C128 27128A	27256 27C256
		V _{CC}	V _{CC}	V _{CC}
		\overline{PGM}	\overline{PGM}	A ₁₄
V _{CC}	V _{CC}	NC	A ₁₃	A ₁₃
A ₈	A ₈	A ₈	A ₈	A ₈
A ₉	A ₉	A ₉	A ₉	A ₉
V _{PP}	A ₁₁	A ₁₁	A ₁₁	A ₁₁
\overline{OE}	\overline{OE}/V_{PP}	\overline{OE}	\overline{OE}	\overline{OE}
A ₁₀	A ₁₀	A ₁₀	A ₁₀	A ₁₀
\overline{CE}	\overline{CE}	\overline{CE}	\overline{CE}	\overline{CE}
O ₇	O ₇	O ₇	O ₇	O ₇
O ₈	O ₆	O ₆	O ₆	O ₆
O ₅	O ₅	O ₅	O ₅	O ₅
O ₄	O ₄	O ₄	O ₄	O ₄
O ₃	O ₃	O ₃	O ₃	O ₃

290228-2

Figure 2. DIP Pin Configuration

EXTENDED TEMPERATURE (EXPRESS) EPROMs

The Intel EXPRESS EPROM family receives additional processing to enhance product characteristics. EXPRESS processing is available for several densities allowing the appropriate memory size to match system requirements. EXPRESS EPROMs are available with 168 ± 8 hour, 125°C dynamic burn-in using Intel's standard bias configuration. This processing meets or exceeds most industry burn-in specifications. The EXPRESS product family is available in both 0°C to 70°C and -40°C to 85°C operating temperature range versions. Like all Intel EPROMs, the EXPRESS EPROM family is inspected to 0.1% electrical AQL. This allows reduction or elimination of incoming testing.

EXPRESS EPROM FAMILY

PRODUCT DEFINITIONS

Type	Operating Temperature	Burn-In 125°C (hr)
Q	0°C to 70°C	168 ± 8
T	-40°C to 85°C	None
L	-40°C to 85°C	168 ± 8

OPTIONS

Packaging	
Speed	CERDIP
-120V10	Q, T, L

READ OPERATION DC CHARACTERISTICS

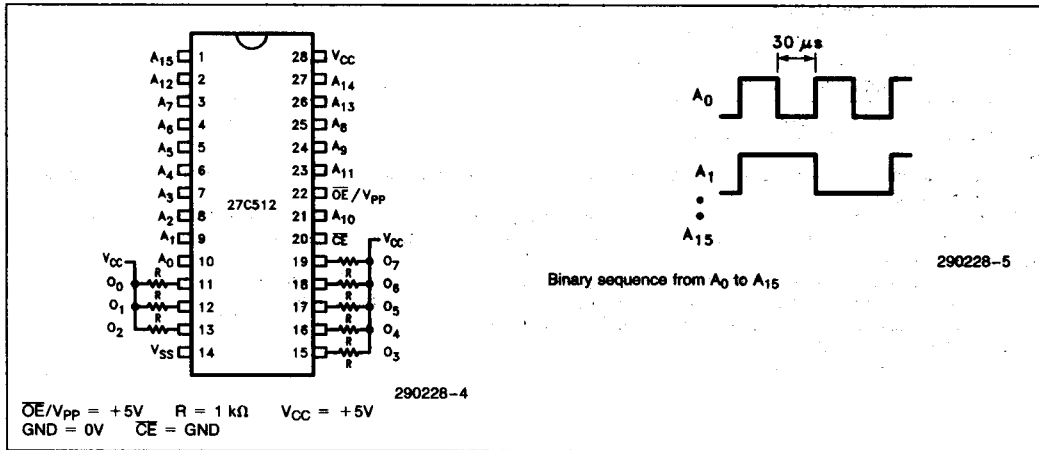
Electrical parameters of EXPRESS EPROM products are identical to standard EPROM parameters except for:

Symbol	Parameter	TD27C512(2) LD27C512		Test Condition
		Min	Max	
I _{CC} (1)	V _{CC} Operating Current (mA)		50	$\overline{OE}/V_{PP} = \overline{CE} = V_{IL}$
	V _{CC} Operating Current at High Temperature (mA)		50	$\overline{OE}/V_{PP} = \overline{CE} = V_{IL}$ T _{Ambient} = 85°C

NOTE:

1. The maximum current value is with outputs O₀ to O₇ unloaded.
2. D refers to the CERDIP package.

5



Burn-In Bias and Timing Diagrams

ABSOLUTE MAXIMUM RATINGS*

- Operating Temperature 0°C to + 70°C(1)
- Temperature Under Bias - 10°C to + 80°C
- Storage Temperature - 65°C to + 125°C
- All Input or Output Voltages
(except A₉, V_{CC} and V_{PP})
with Respect to GND - 2.0V to 7.0V(2)
- Voltage on A₉ with
Respect to GND - 2.0V to 13.5V(2)
- V_{PP} Supply Voltage
with Respect to GND - 2.0V to 14V(2)
- V_{CC} Supply Voltage
with Respect to GND - 2.0V to 7.0V(2)

NOTICE: This is a production data sheet. The specifications are subject to change without notice.

**WARNING: Stressing the device beyond the "Absolute Maximum Ratings" may cause permanent damage. These are stress ratings only. Operation beyond the "Operating Conditions" is not recommended and extended exposure beyond the "Operating Conditions" may affect device reliability.*

READ OPERATION DC CHARACTERISTICS(1) V_{CC} = 5.0V ± 10%

Symbol	Parameter	Notes	Min	Typ	Max	Unit	Test Condition
I _{LI}	Input Load Current	7		0.01	1.0	μA	V _{IN} = 0V to + 5.5V
I _{LO}	Output Leakage Current				± 10	μA	V _{OUT} = 0V to + 5.5V
I _{SB}	V _{CC} Standby Current				1.0	mA	CE = V _{IH}
					100	μA	CE = V _{CC} ± 0.2V
I _{CC}	V _{CC} Operating Current	3			30	mA	CE = V _{IL} f = 5 MHz, I _{OUT} = 0 mA
I _{PP}	V _{PP} Operating Current	3			10	μA	V _{PP} = V _{CC}
I _{OS}	Output Short Circuit Current	4, 6			100	mA	
V _{IL}	Input Low Voltage		-0.5		0.8	V	
V _{IH}	Input High Voltage		2.0		V _{CC} + 0.5	V	
V _{OL}	Output Low Voltage				0.45	V	I _{OL} = 2.1 mA
V _{OH}	Output High Voltage		2.4			V	I _{OH} = - 400 μA

NOTES:

1. Operating temperature is for commercial product defined by this specification. Extended temperature options are available in EXPRESS versions.
2. Minimum DC voltage is -0.5V on input/output pins. During transitions, this level may undershoot to -2.0V for periods < 20 ns. Maximum DC voltage on input/output pins is V_{CC} + 0.5V which during transitions, may overshoot to V_{CC} + 2.0V for periods < 20 ns.
3. Maximum active power usage is the sum I_{PP} + I_{CC}. Maximum current value is with outputs O₀ to O₇ unloaded.
4. Output shorted for no more than one second. No more than one output shorted at a time.
5. V_{CC} must be applied simultaneously or before CE/V_{PP} and removed simultaneously or after CE/V_{PP}.
6. Sampled, not 100% tested.
7. Typical limits are at V_{CC} = 5V, T_A = 25°C.

READ OPERATION AC CHARACTERISTICS $V_{CC} = 5.0V \pm 10\%$

Versions(4)	$V_{CC} \pm 10\%$		27C512-120V10		27C512-150V10		27C512-200V10		Unit	
	Symbol	Parameter	Notes	Min	Max	Min	Max	Min		Max
	t_{ACC}	Address to Output Delay			120		150		200	ns
	t_{CE}	\overline{CE} to Output Delay	2		120		150		200	ns
	t_{OE}	\overline{OE}/V_{PP} to Output Delay	2		55		60		70	ns
	t_{DF}	\overline{OE}/V_{PP} High to Output High Z	3	0	30	0	50	0	60	ns
	t_{OH}	Output Hold from Addresses, \overline{CE} or \overline{OE}/V_{PP} , Whichever Occurred First	3	0		0		0		ns

NOTES:

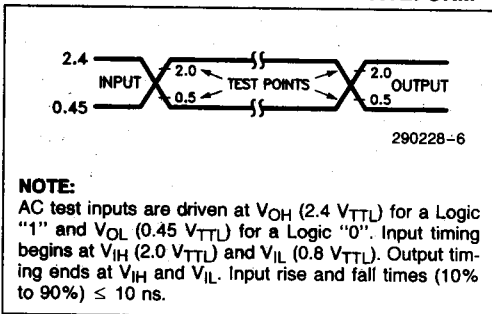
1. See AC input/output reference waveform for timing measurements.
2. \overline{OE} may be delayed up to $t_{CE} - t_{OE}$ after the falling edge of \overline{CE} without impact on t_{CE} .
3. Sampled, not 100% tested.
4. Packaging Options: No Prefix = CERDIP.
5. Typical values are for $T_A = 25^\circ C$ and nominal supply voltages.

CAPACITANCE(3) $T_A = 25^\circ C, f = 1 \text{ MHz}$

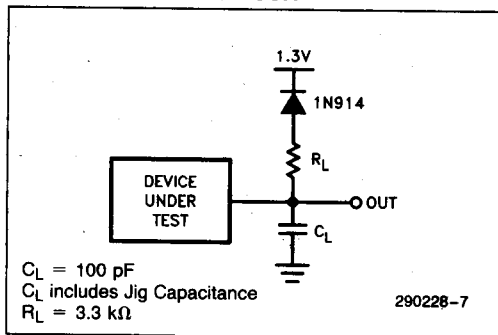
Symbol	Parameter	Typ(5)	Max	Unit	Condition
C_{IN}	Input Capacitance	4	8	pF	$V_{IN} = 0V$
C_{OUT}	Output Capacitance	8	12	pF	$V_{OUT} = 0V$
$C_{OE/V_{PP}}$	\overline{OE}/V_{PP} Capacitance	18	25	pF	$V_{IN} = 0V$

5

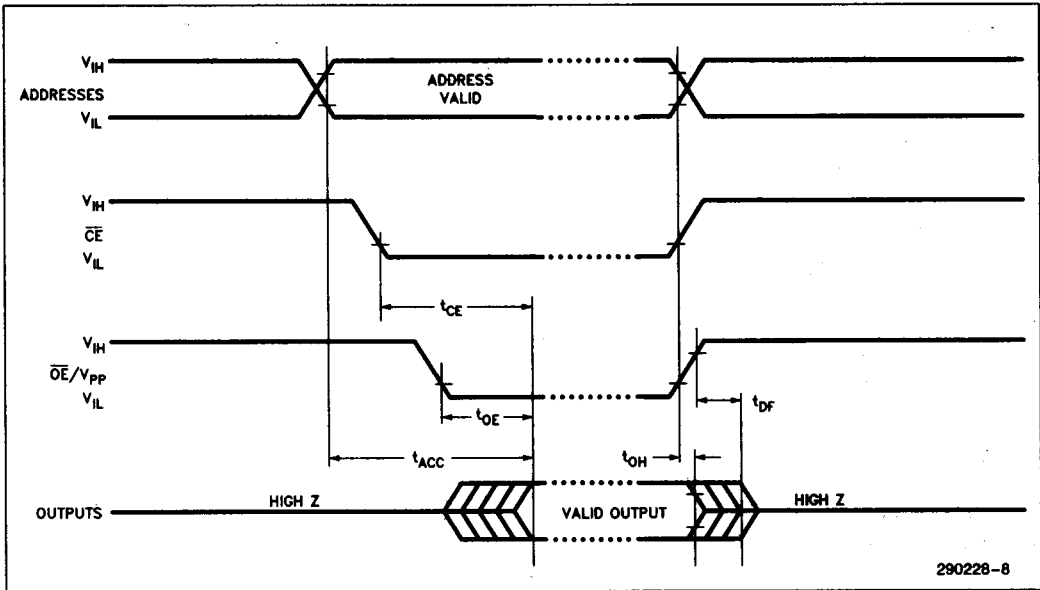
AC INPUT/OUTPUT REFERENCE WAVEFORM



AC TESTING LOAD CIRCUIT



AC WAVEFORMS



290226-8

DEVICE OPERATION

The Mode Selection table lists 27C512 operating modes. Read Mode requires a single 5V power supply. All inputs, except V_{CC} and OE/V_{PP}, and A₉ during intelligent Identifier Mode, are TTL or CMOS.

Table 1. Mode Selection

Mode	Notes	CE	OE/V _{PP}	A ₉	A ₀	V _{CC}	Outputs
Read	1	V _{IL}	V _{IL}	X	X	V _{CC}	D _{OUT}
Output Disable		V _{IL}	V _{IH}	X	X	V _{CC}	High Z
Standby		V _{IH}	X	X	X	V _{CC}	High Z
Program	2	V _{IL}	V _{PP}	X	X	V _{CP}	D _{IN}
Program Verify		V _{IL}	V _{IL}	X	X	V _{CP}	D _{OUT}
Program Inhibit		V _{IH}	V _{PP}	X	X	V _{CP}	High Z
Intelligent Identifier - Manufacturer - Device	2, 3	V _{IL}	V _{IL}	V _{ID}	V _{IL}	V _{CC}	89H
		V _{IL}	V _{IL}	V _{ID}	V _{IH}	V _{CC}	FDH

NOTES:

- X can be V_{IH} or V_{IL}.
- See DC Programming Characteristics for V_{CP}, V_{PP} and V_{ID} voltages.
- A₁-A₈, A₁₀-A₁₅ = V_{IL}.

Read Mode

The 27C512 has two control functions; both must be enabled to obtain data at the outputs. \overline{CE} is the power control and device select. \overline{OE}/V_{PP} controls the output buffers to gate data to the outputs. With addresses stable, the address access time (t_{ACC}) equals the delay from \overline{CE} to output (t_{CE}). Outputs display valid data t_{OE} after \overline{OE}/V_{PP} 's falling edge, assuming t_{ACC} and t_{CE} times are met.

V_{CC} must be applied simultaneously or before \overline{OE}/V_{PP} and removed simultaneously or after \overline{OE}/V_{PP} .

Standby Mode

Standby Mode substantially reduces V_{CC} current. When $\overline{CE} = V_{IH}$, the outputs are in a high impedance state, independent of \overline{OE}/V_{PP} .

Two Line Output Control

EPROMs are often used in larger memory arrays. Intel provides two control inputs to accommodate multiple memory connections. Two-line control provides for:

- lowest possible memory power dissipation
- complete assurance that data bus contention will not occur

To efficiently use these two control inputs, an address decoder should enable \overline{CE} , while \overline{OE}/V_{PP} should be connected to all memory devices and the system's READ control line. This assures that only selected memory devices have active outputs while deselected memory devices are in Standby Mode.

Program Mode

Caution: Exceeding 14.0V on \overline{OE}/V_{PP} will permanently damage the device.

Initially, and after each erasure, all EPROM bits are in the "1" state. Data is introduced by selectively programming "0s" into the desired bit locations. Although only "0s" are programmed, the data word can contain both "1s" and "0s". Ultraviolet light erasure is the only way to change "0s" to "1s".

Program Mode is entered when \overline{OE}/V_{PP} is raised to 12.75V. Data is introduced by applying an 8 bit word to the output pins. Pulsing \overline{CE} low programs that data into the device.

Program Verify

A verify should be performed following a program operation to determine that bits have been correctly programmed. With V_{CC} at 6.25V, a substantial pro-

gram margin is ensured. The verify is performed with \overline{OE}/V_{PP} at V_{IL} . Valid data is available t_{DV} after \overline{CE} falls low.

Program Inhibit

Program Inhibit Mode allows parallel programming of multiple EPROMs with different data. \overline{CE} -high inhibits programming of non-targeted devices. Except for \overline{CE} and \overline{OE}/V_{PP} , parallel EPROMS may have common inputs.

Intelligent Identifier Mode

The Intelligent Identifier Mode will determine an EPROM's manufacturer and device type, allowing programming equipment to automatically match a device with its proper programming algorithm.

This mode is activated when a programmer forces $12V \pm 0.5V$ on A_9 . With \overline{CE} , \overline{OE}/V_{PP} , A_1-A_8 and $A_{10}-A_{15}$ at V_{IL} , $A_0 = V_{IL}$ will present the manufacturer code and $A_0 = V_{IH}$ the device code. This mode functions in the $25^\circ C \pm 5^\circ C$ ambient temperature range required during programming.

SYSTEM CONSIDERATIONS

EPROM power switching characteristics require careful device decoupling. System designers are interested in 3 supply current issues: standby current levels (I_{SB}), active current levels (I_{CC}), and transient current peaks produced by the falling and rising edges of \overline{CE} . Transient current magnitudes depend on the device output's capacitive and inductive loading. Two-line control and proper decoupling capacitor selection will suppress transient voltage peaks. Each device should have a 0.1 μF ceramic capacitor connected between its V_{CC} and GND. This high frequency, low inherent-inductance capacitor should be placed as close as possible to the device. Additionally for every 8 devices, a 4.7 μF electrolytic capacitor should be placed at the array's power supply connection between V_{CC} and GND. The bulk capacitor will overcome voltage slumps caused by PC board trace inductances.

ERASURE CHARACTERISTICS

Erasure begins when EPROMs are exposed to light with wavelengths shorter than approximately 4000 Angstroms (\AA). It should be noted that sunlight and certain fluorescent lamps have wavelengths in the 3000-4000 \AA range. Data shows that constant exposure to room level fluorescent lighting can erase an EPROM in approximately 3 years, while it takes approximately 1 week when exposed to direct sunlight. If the device is exposed to these lighting conditions for extended periods, opaque labels should be placed over the window to prevent unintentional erasure.

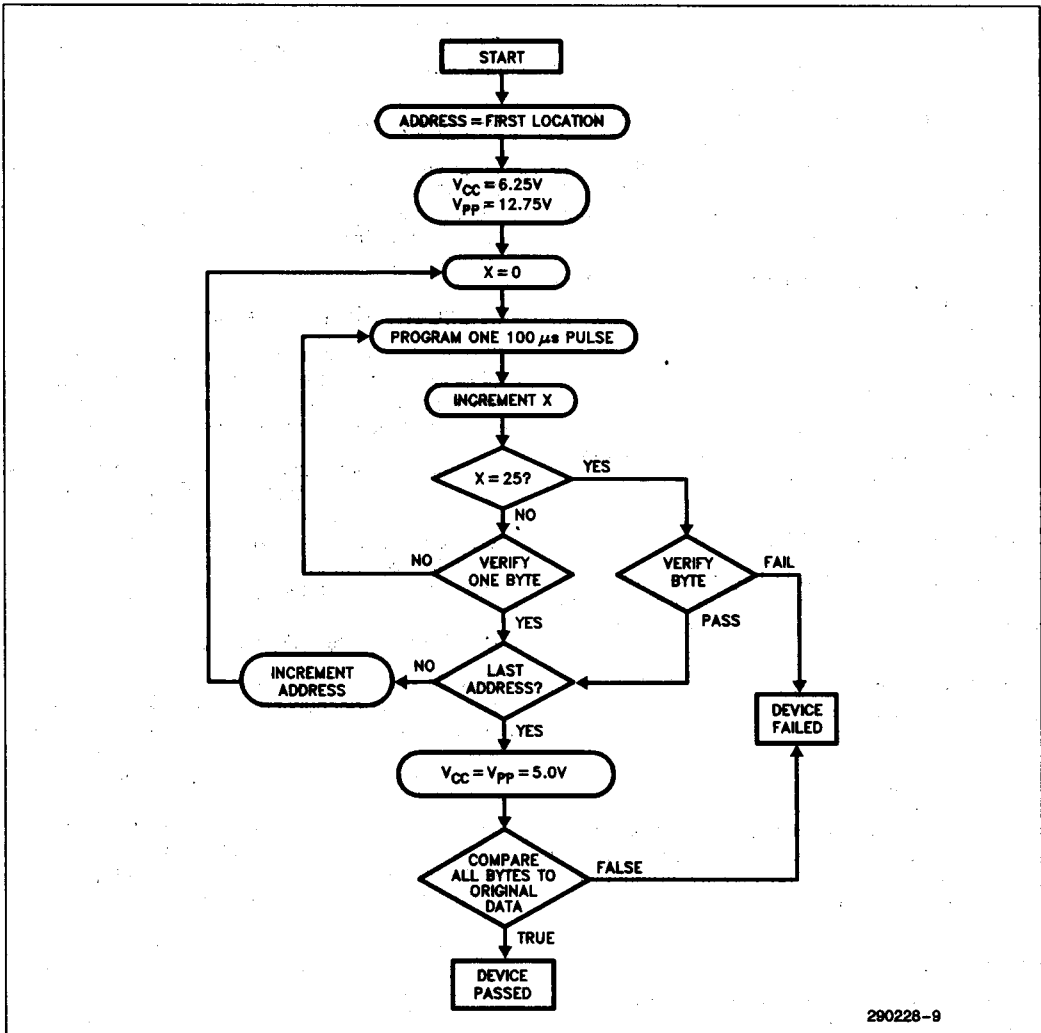


Figure 3. Quick-Pulse Programming Algorithm

The recommended erasure procedure is exposure to ultraviolet light of wavelength 2537\AA . The integrated dose (UV intensity x exposure time) for erasure should be a minimum of 15 Wsec/cm^2 . Erasure time is approximately 15 to 20 minutes using an ultraviolet lamp with a $12000\text{ }\mu\text{W/cm}^2$ power rating. The EPROM should be placed within 1 inch of the lamp tubes. An EPROM can be permanently damaged if the integrated dose exceeds 7258 Wsec/cm^2 (1 week @ $12000\text{ }\mu\text{W/cm}^2$).

Quick-Pulse Programming Algorithm

The Quick-Pulse Programming algorithm programs Intel's 27C512. Developed to substantially reduce

programming throughput, this algorithm can program the 27C512 as fast as 8 seconds. Actual programming time depends on the programmer overhead.

The Quick-Pulse Programming algorithm employs a $100\text{ }\mu\text{s}$ pulse followed by a byte verification to determine when the addressed byte has been successfully programmed. The algorithm terminates if 25 attempts fail to program a byte.

The entire program pulse/byte verify sequence is performed with $V_{CC} = 6.25\text{V}$. OE/V_{PP} toggles between 12.75V and V_{IL} for program and verify operations. When programming is complete, all bytes are compared to the original data with $V_{CC} = 5.0\text{V}$.

DC PROGRAMMING CHARACTERISTICS $T_A = 25 \pm 5^\circ\text{C}$

Symbol	Parameter	Notes	Min	Typ	Max	Unit	Test Condition
I_{LI}	Input Load Current				1	μA	$V_{IN} = V_{IL}$ or V_{IH}
I_{CP}	V_{CC} Program Current	1			40	mA	$\overline{CE} = V_{IL}, \overline{OE}/V_{PP} = V_{PP}$
I_{PP}	V_{PP} Program Current	1			50	mA	$\overline{CE} = V_{IL}, \overline{OE}/V_{PP} = V_{PP}$
V_{IL}	Input Low Voltage		-0.1		0.8	V	
V_{IH}	Input High Voltage		2.4		6.5	V	
V_{OL}	Output Low Voltage (Verify)				0.45	V	$I_{OL} = 2.1 \text{ mA}$
V_{OH}	Output High Voltage (Verify)		3.5			V	$I_{OH} = -2.5 \text{ mA}$
V_{ID}	A_9 intelligent Identifier Voltage		11.5	12.0	12.5	V	
V_{PP}	V_{PP} Program Voltage	2, 3	12.5	12.75	13.0	V	
V_{CP}	V_{CC} Supply Voltage (Program)	2	6.0	6.25	6.5	V	

AC PROGRAMMING CHARACTERISTICS⁽⁴⁾ $T_A = 25 \pm 5^\circ\text{C}$

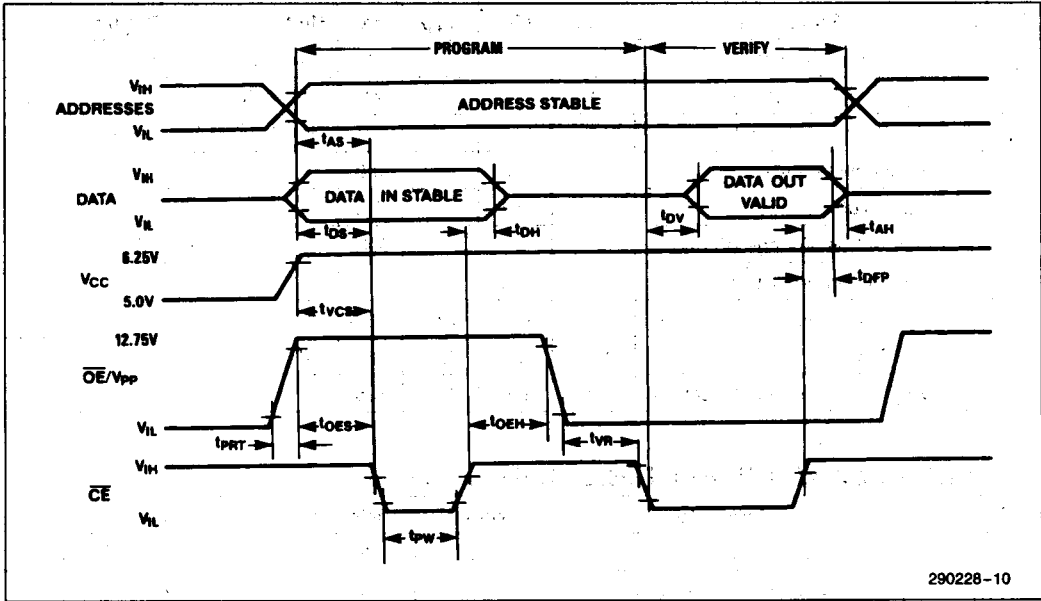
Symbol	Parameter	Notes	Min	Typ	Max	Unit	
t_{VCS}	V_{CP} Setup Time	2	2			μs	
t_{PRT}	\overline{OE}/V_{PP} Pulse Rise Time During Programming			50		ns	
t_{AS}	Address Setup Time			2		μs	
t_{DS}	Data Setup Time			2		μs	
t_{OES}	\overline{OE}/V_{PP} Setup Time	2, 3	2			μs	
t_{PW}	\overline{CE} Program Pulse Width			95	100	105	μs
t_{DH}	Data Hold Time			2		μs	
t_{OEH}	\overline{OE}/V_{PP} Hold Time			2		μs	
t_{VR}	\overline{OE}/V_{PP} Recovery Time			2		μs	
t_{DV}	Data Valid from \overline{CE}	5			1	μs	
t_{DFP}	Output Disable to Output High Z	5, 6	0		130	ns	
t_{AH}	Address Hold Time			0		μs	

NOTES:

1. Maximum current value is with outputs O_0 to O_7 unloaded.
2. V_{CP} must be applied simultaneously or before \overline{OE}/V_{PP} and removed simultaneously or after \overline{OE}/V_{PP} .
3. When programming, a $0.1 \mu\text{F}$ capacitor is required across \overline{OE}/V_{PP} and GND to suppress spurious voltage transients which can damage the device.
4. See AC Input/Output Reference Waveforms for timing measurements.
5. t_{DV} and t_{DFP} are device characteristics but must be accommodated by the programmer.
6. Sampled, not 100% tested.

5

PROGRAMMING WAVEFORMS



290228-10

REVISION HISTORY

Number	Description
003	Deleted preliminary classification.