

4207, 4209, 4211

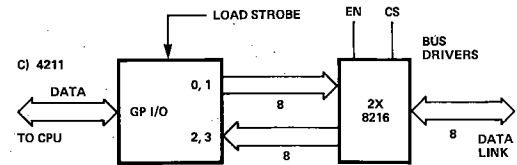
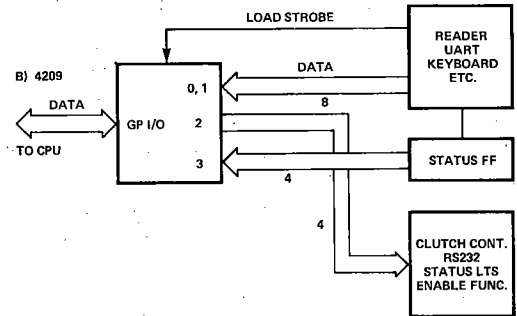
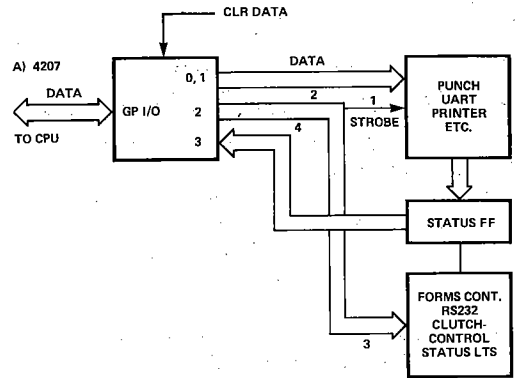
GENERAL PURPOSE I/O

These three I/O devices expand MCS-40™ CPUs. Each device has four 4-bit ports designated as input or output. They respond to the SRC, RDR, and WRR commands, and Chip Select No. 3 (ROM pages 12-15).

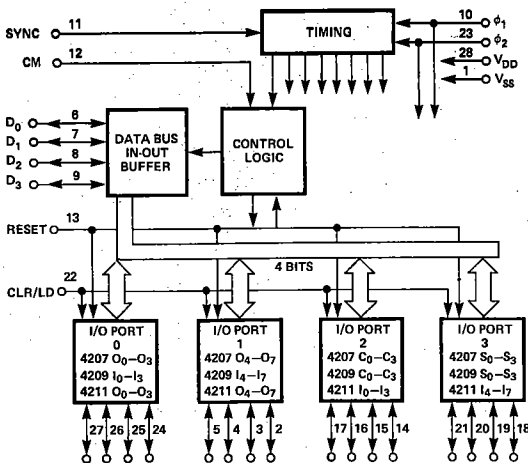
4207 Two 4-bit output ports loaded under program control. Contains the output data word(s). One 4-bit output port as a control source to steer data and control I/O device. One 4-bit input port for I/O status input data.

4209 Two 4-bit input ports for I/O input data. External strobe simultaneously loads input buffer. One 4-bit input port for I/O status input data. One 4-bit output port for I/O control data.

4211 Two 4-bit input ports. Two 4-bit output ports. This device is useful for byte transfers.



4207, 4209, 4211 FUNCTIONAL BLOCK DIAGRAM



4207, 4209, 4211 PIN CONFIGURATION

